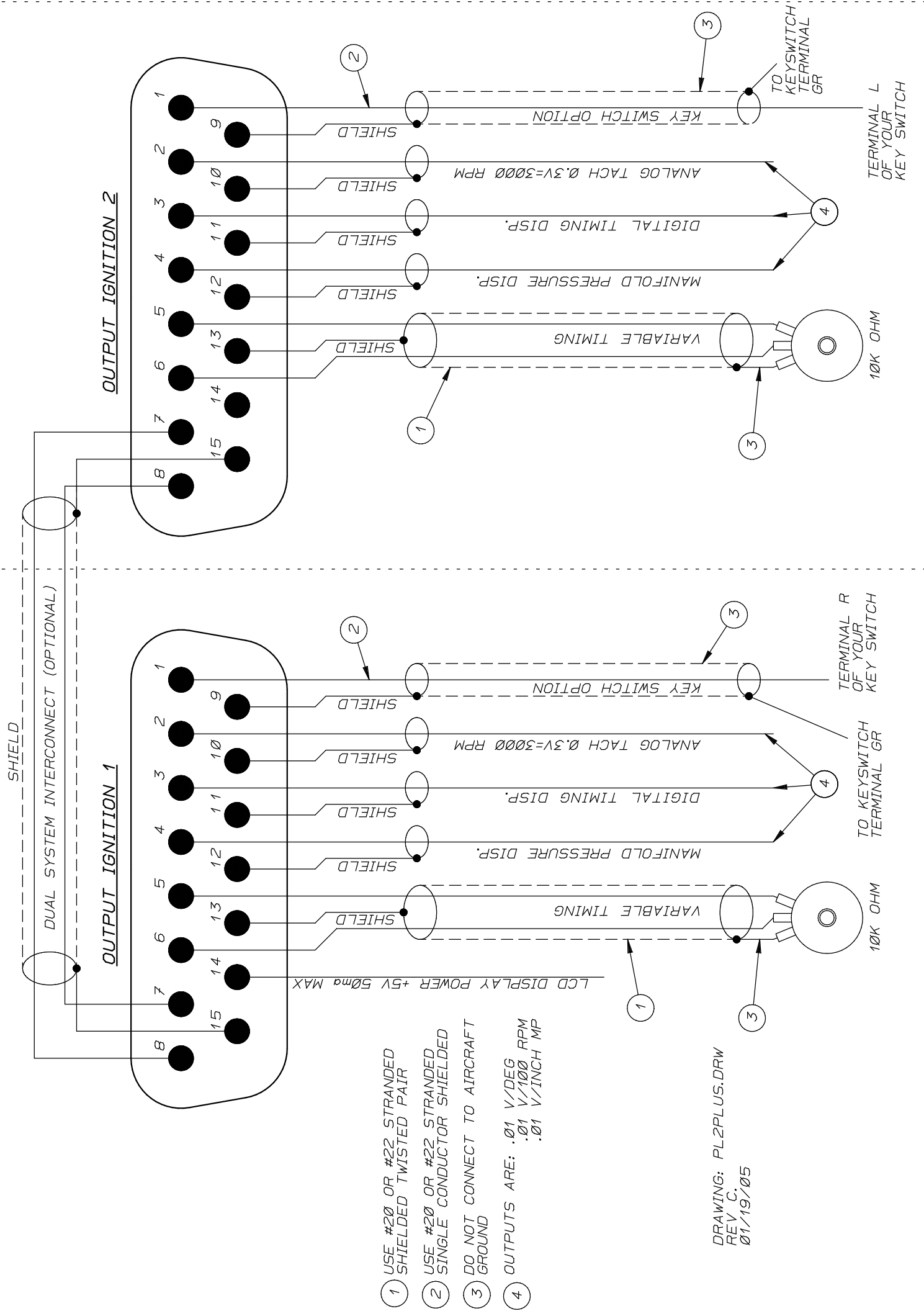


PLASMA II PLUS AND PLASMA III

(FIRST IGNITION SYSTEM)

(SECOND IGNITION SYSTEM - OPTIONAL)  
(REPLACES SECOND MAGNETO)



- ① USE #20 OR #22 STRANDED SHIELDED TWISTED PAIR
- ② USE #20 OR #22 STRANDED SINGLE CONDUCTOR SHIELDED
- ③ DO NOT CONNECT TO AIRCRAFT GROUND
- ④ OUTPUTS ARE: .01 V/DEG  
.01 V/100 RPM  
.01 V/INCH MP

DRAWING: PL2PLUS.DRW  
REV C.  
01/19/05